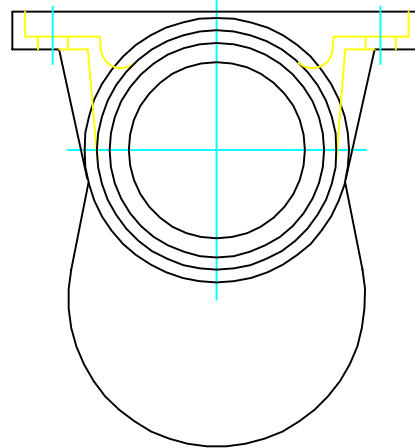


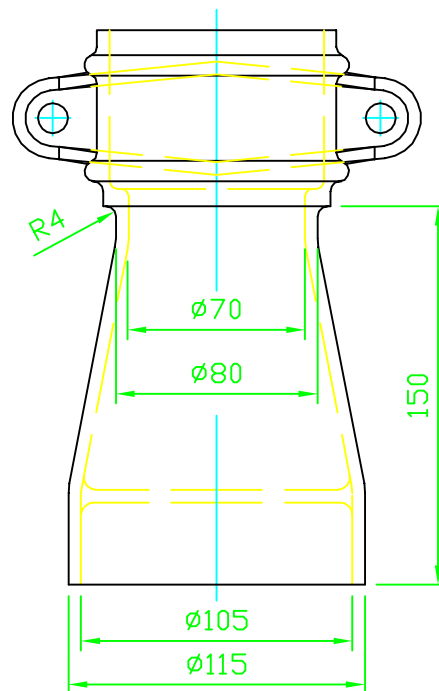
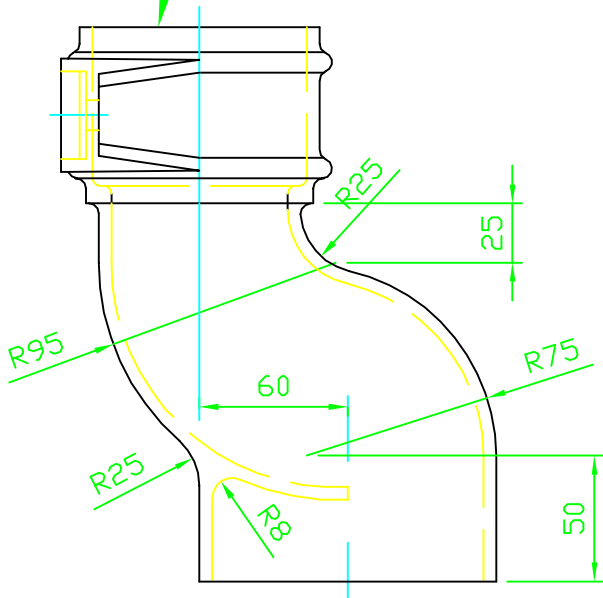
# UNCONTROLLED COPY

Replaces drawing  
HFRWASS3ED



NO JOINT LINE IN THIS DIRECTION

FOR SOCKET DETAILS SEE 3SKTED  
HF LOGO & SIZE ONLY ON TEXT



### Copyright and Design right

This confidential drawing is the sole property of Hargreaves Foundry Drainage Ltd and must not be reproduced or distributed to any third party without written permission. It must only be used for the purpose for which it has been issued and may be withdrawn upon request. The validity of the drawing is only guaranteed at the time of issue and is subject to change without notice.

ALL DIMS IN mm

WATER LANE  
SOUTH PARADE  
HALIFAX  
WEST YORKSHIRE  
HX3 9HG



Hargreaves  
RAINWATER • SOIL • DRAINAGE

TEL: (44) 01422 330607  
FAX: (44) 01422 320349  
E-MAIL [Info@hargreavesfoundry.co.uk](mailto:Info@hargreavesfoundry.co.uk)

TITLE 75mm RW Anti-Splash Shoe			
MATERIAL BSEN 1561 Grade:-EN-GJL-150			
SCALE 1:3	A4	DRAWN HFTech	CHECKED D.Hall
DATE 24/09/15	REF No R3052E	REV. 0	
DWG No R3052E			