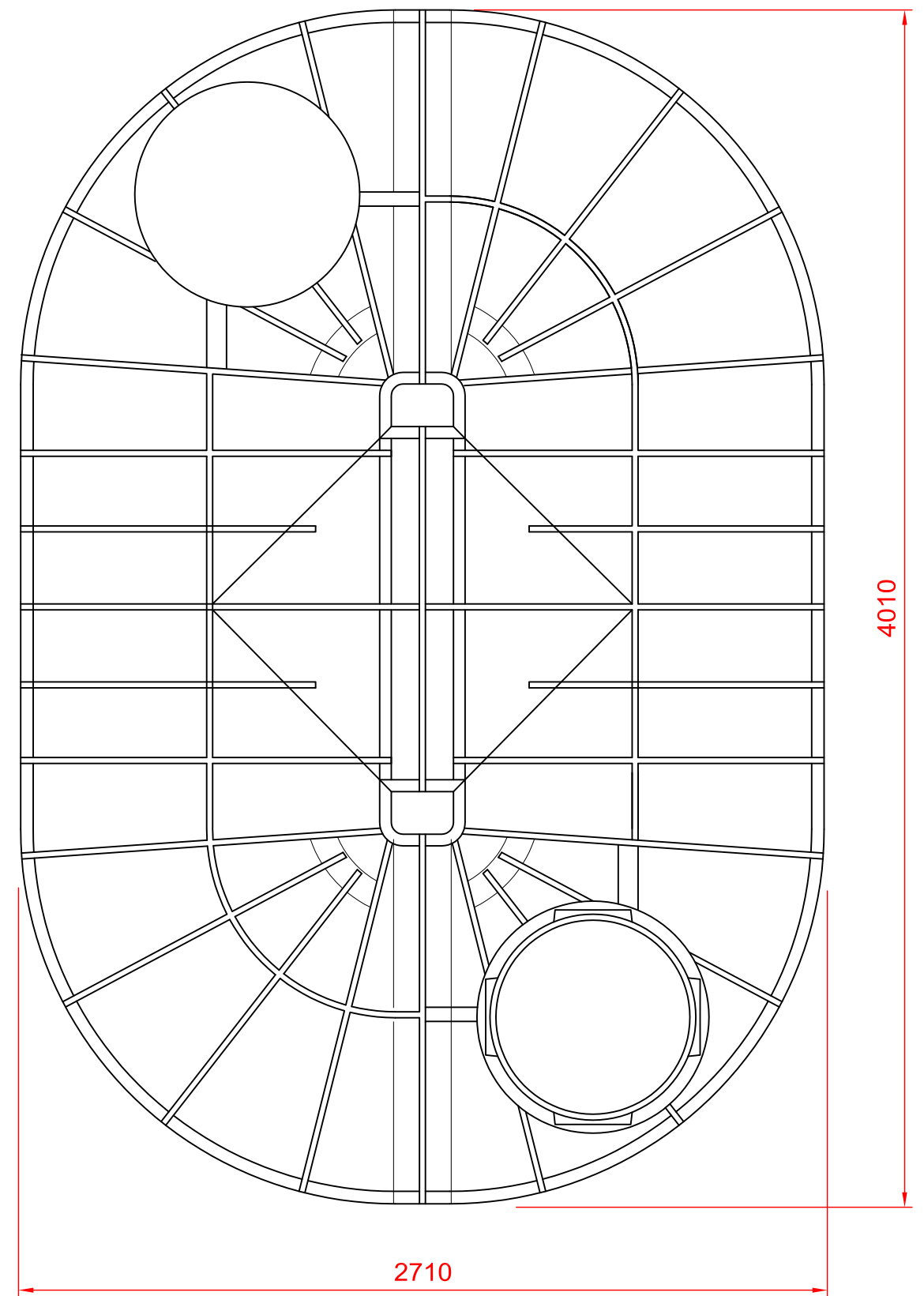
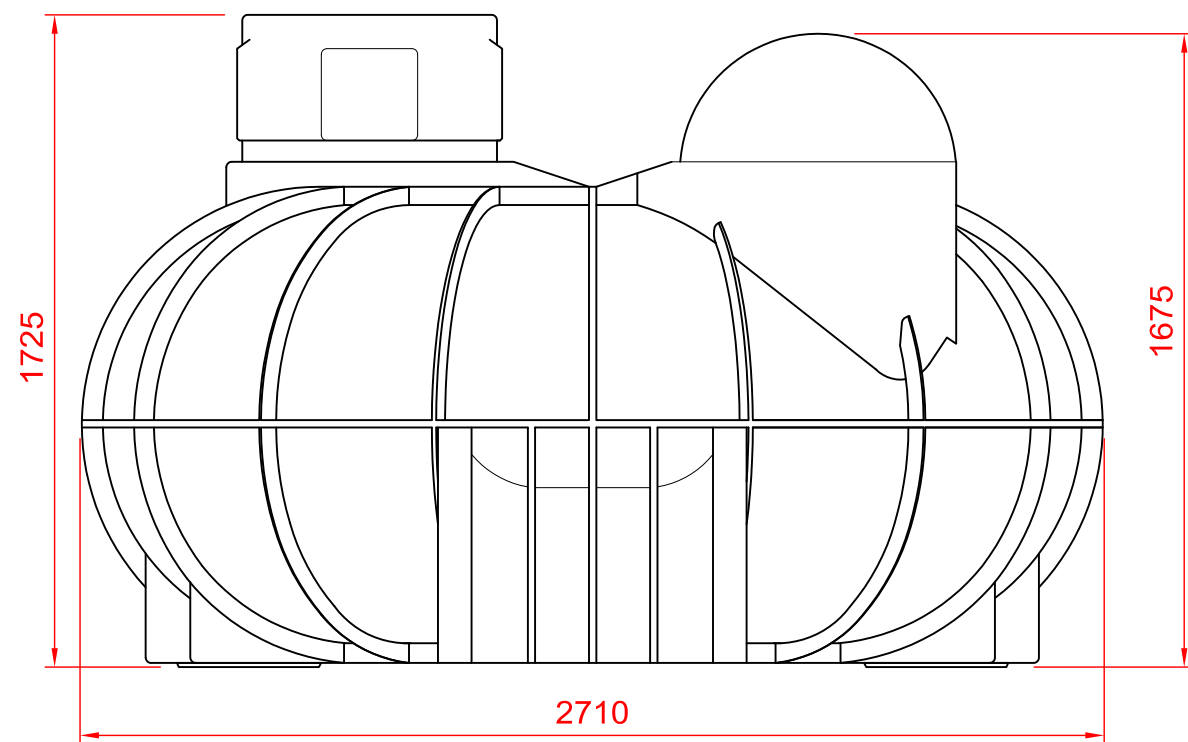


SIDE ELEVATION



PLAN



END ELEVATION

© Atlantis Tanks Group Ltd. 2020



Title  
**8400 Litre Puratank  
 Plans and Elevations**

Scale  
**1:20**

Drawing No.  
**PUR-8400-01**

Revisions  
 -