

**IMPORTANT, RETAIN FOR FUTURE REFERENCE: READ CAREFULLY.**

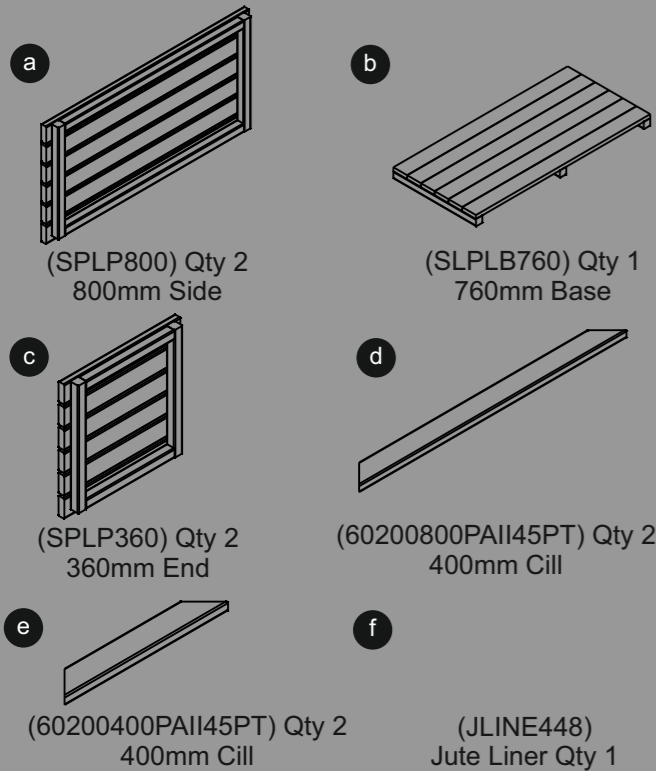
Check all parts are present prior to assembly.

- Always pre-drill timber to avoid splitting.
- The timber in this product is pressure treated to ensure longevity and protection against rot. This may leave a colour variations, but these will even out as the moisture content stabilises.
- Timber is a natural material and will shrink and swell as a result of varying moisture content.
- Keep all plastic bags and parts away from children.
- Regularly check fixings are tight and secure.

In line with your statutory rights, please check all parts prior to assembly, as assembly of damaged parts may be deemed to be acceptance and this may affect the remedies you are entitled to. The manufacturer does not accept any liability for injury or damage to property caused by this product not being constructed in accordance with our instructions or being altered in any way.

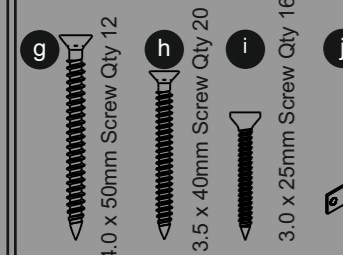
Technical Help line: 0333 7777 089  
8:30am - 5.00pm Monday to Friday

**PARTS LIST (LINPL80)**



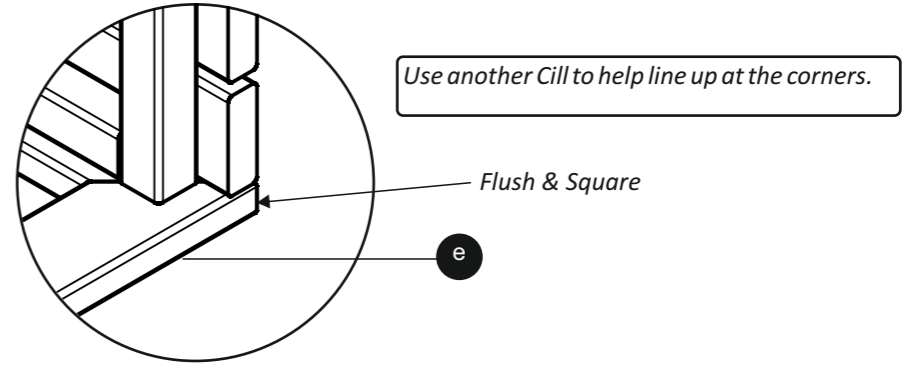
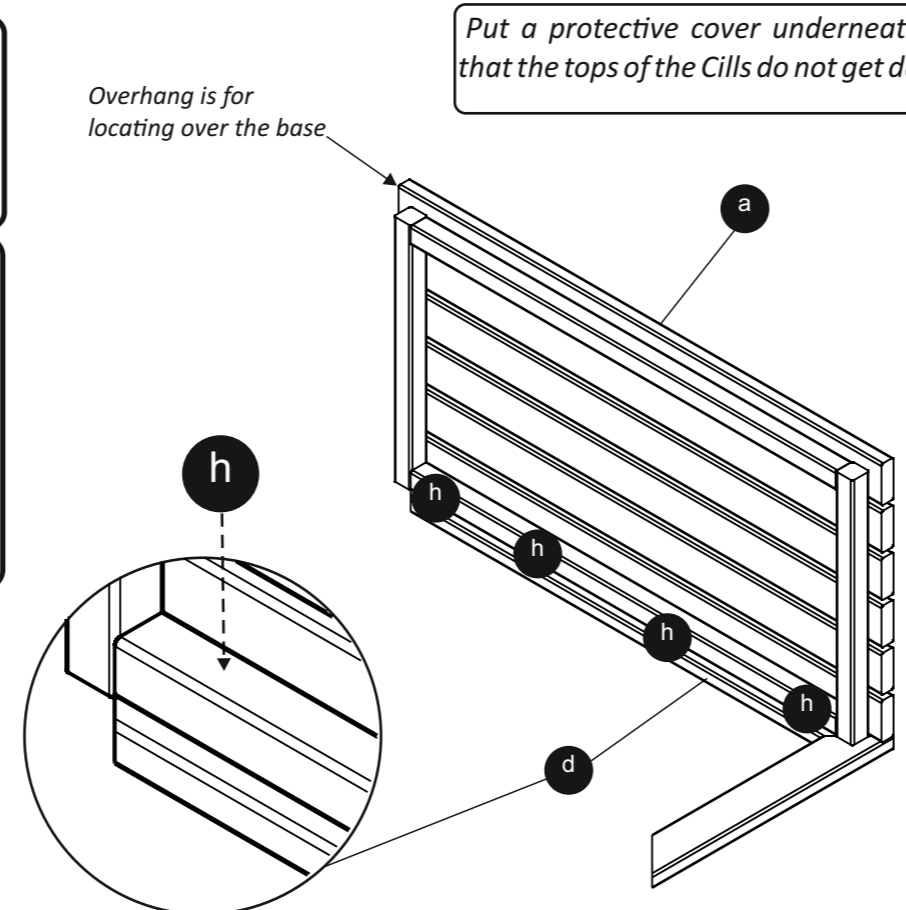
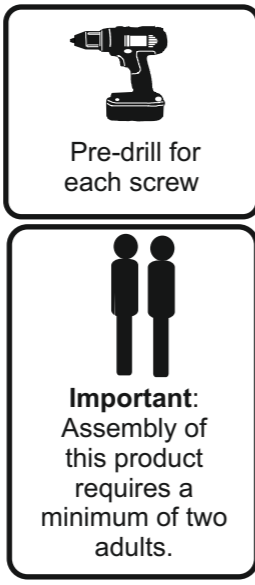
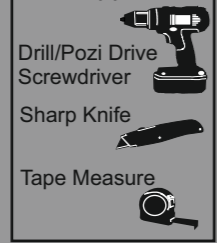
**FIXING PACK (SPL44FP)**

*Not to scale*



**Tools Required**

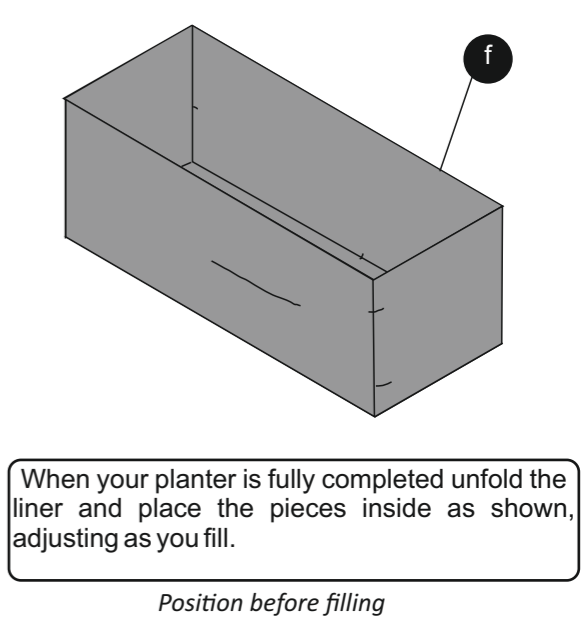
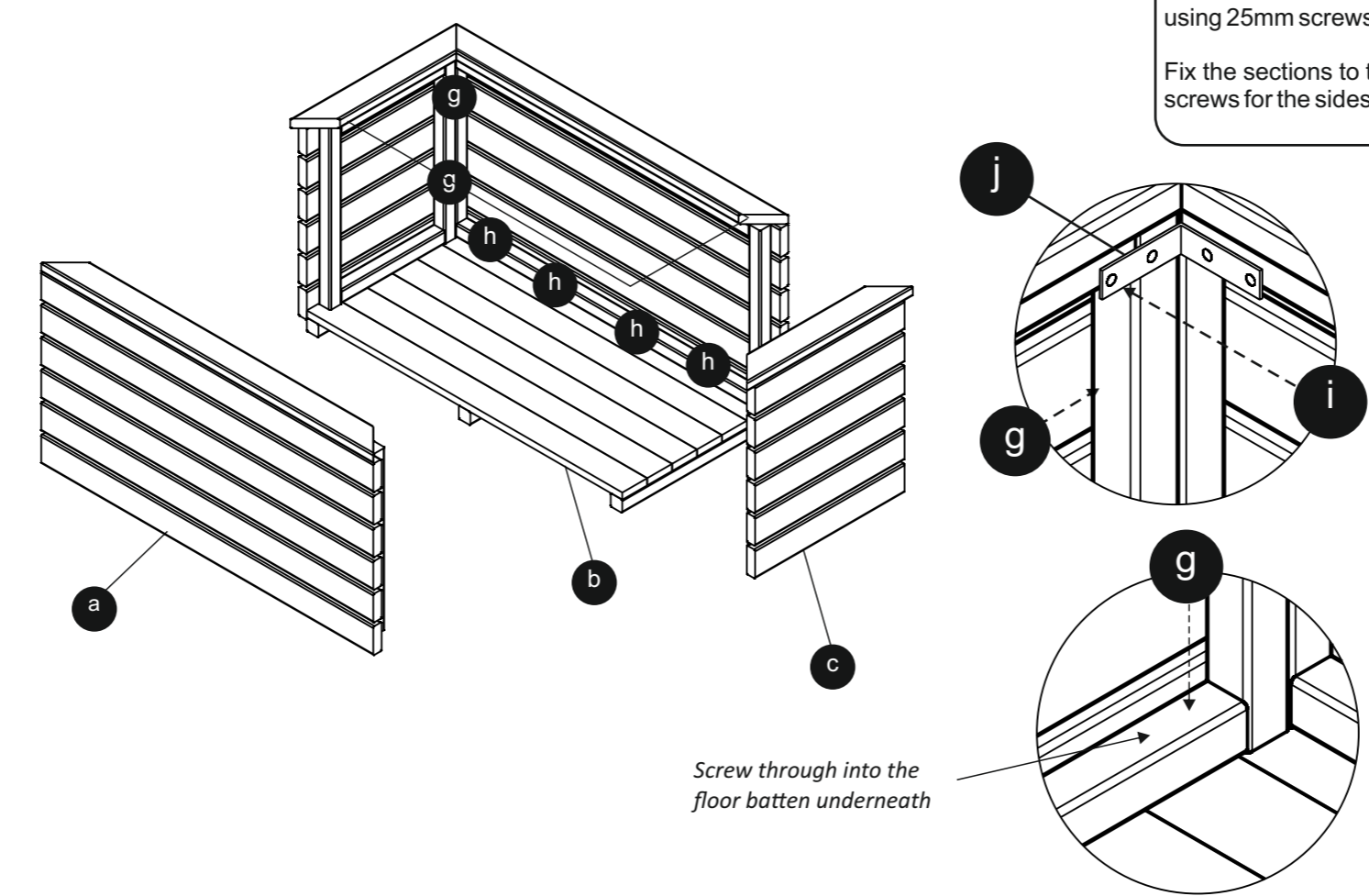
*Not Supplied*



When all of the Cills have been fixed to the sections, place the sections together on top of the base. Make sure that everything is flush before fixing them to each other using 2 x 50mm screws for each corner.

Place an L' bracket in each corner underneath the cills and fix the panels together using 25mm screws.

Fix the sections to the base using 2 x 50mm screws for each end and 4 x 40mm screws for the sides.



This article contains biocidal products to give protection against wood destroying insects & wood rotting fungi. Contents may vary. May contain : Basic copper carbonate (Copper (II) carbonate – Copper (II) hydroxide (1:1), Cupric oxide, Copper hydroxide carbonate, oxyethyl, ammoniumpropionate, Copper HDO, Propiconazole, Tebuconazole, Boric acid, Benzalkonium chloride. Wear gloves when handling freshly treated wood. Avoid breathing dust when cutting treated or untreated wood. Dispose of off-cuts responsibly – do not burn.