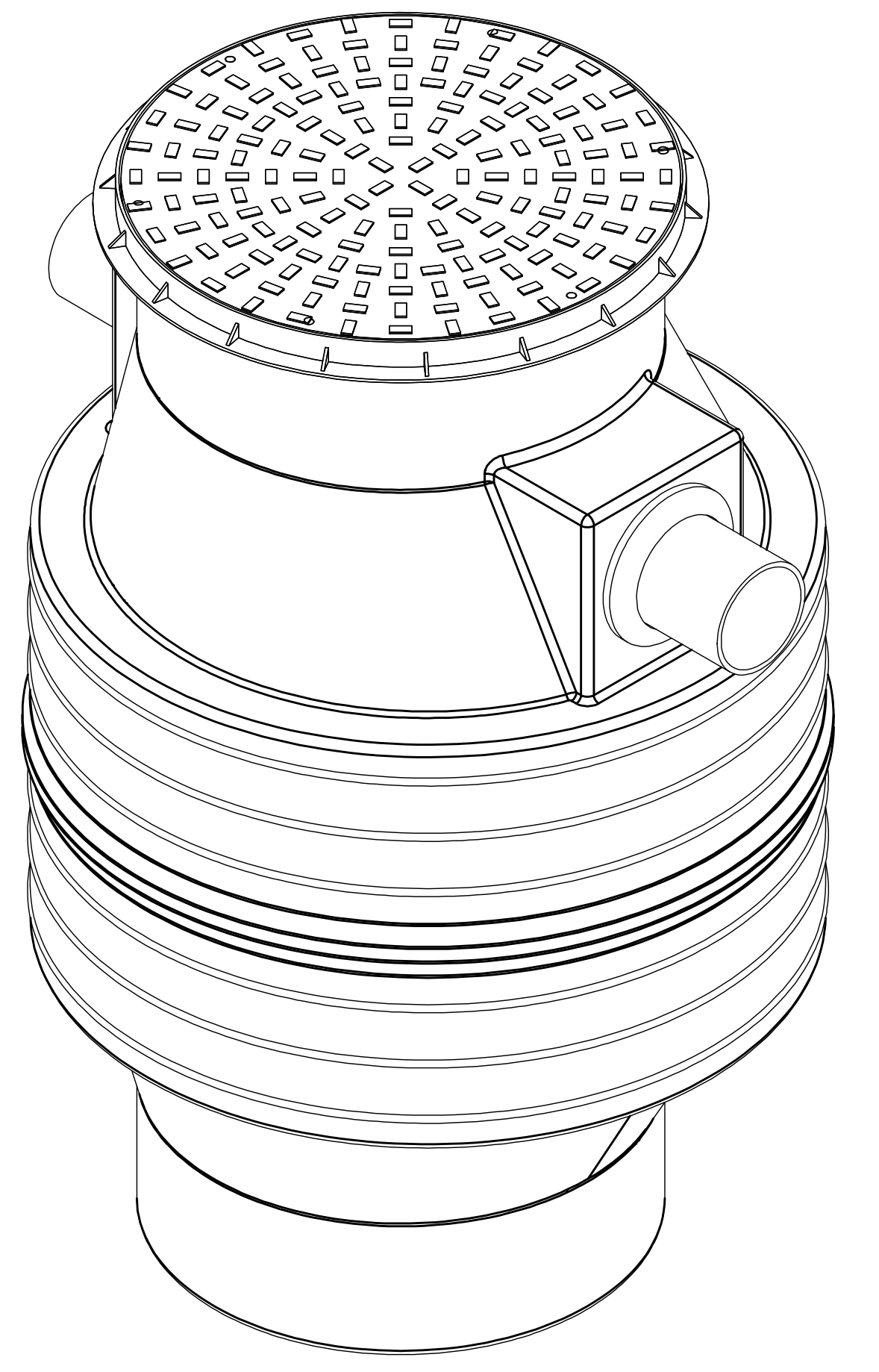
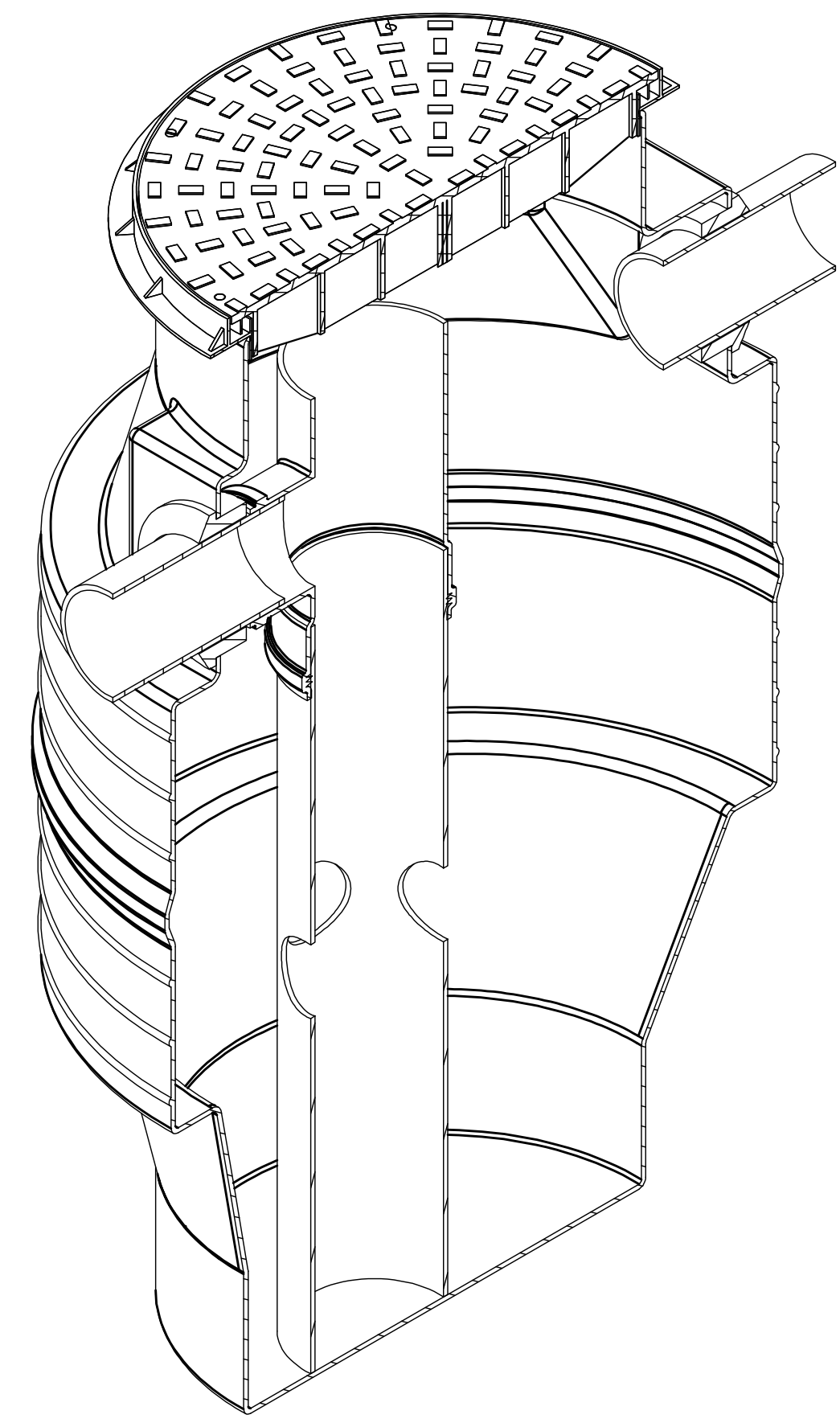


SECTION A-A



GT1 SPECIFICATION

- TOTAL VOLUME: 300 Litres
- WORKING CAPACITY: 255 Litres
- SLUDGE STORAGE: 75 Litres
- PIPEWORK: 110mm EN1401
- ACCESS COVER: A15 Rating
- DESIGNED TO MEET EN1825-1
- NOMINAL SIZE: 0.75
- MAXIMUM MEALS PER DAY - 165



DRAWN BY:-	BW	CONTRACT REFERENCE:-		N/A
DRAWN DATE:-	26/03/2020	PRODUCT DESCRIPTION		
		GT 1 GREASE TRAP		
APPROVED	D.A.	SIZE	PRODUCT CODE	REV
		A3	GT1	1
		SCALE	1:5	SHEET 1 OF 1