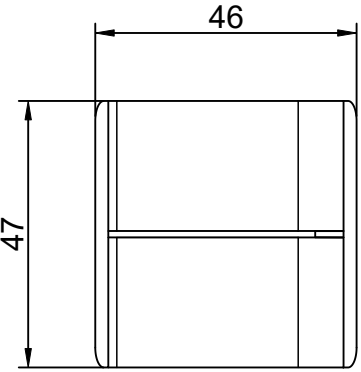
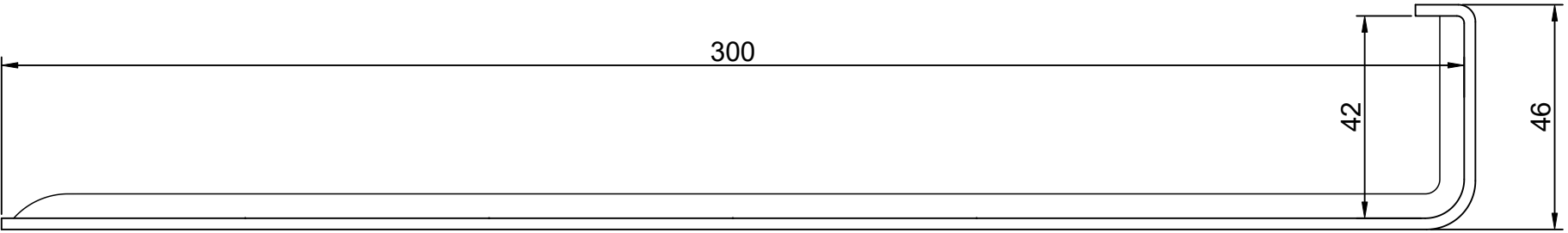


Front View



Section A-A



Side View