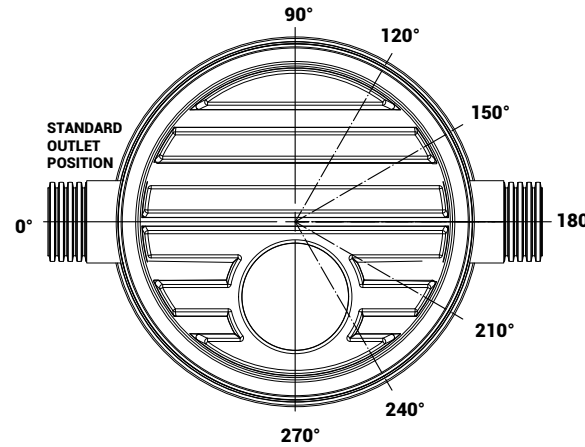


INLET PIPE OPTIONS - 90° to 270°



RESTRICTION CAPS

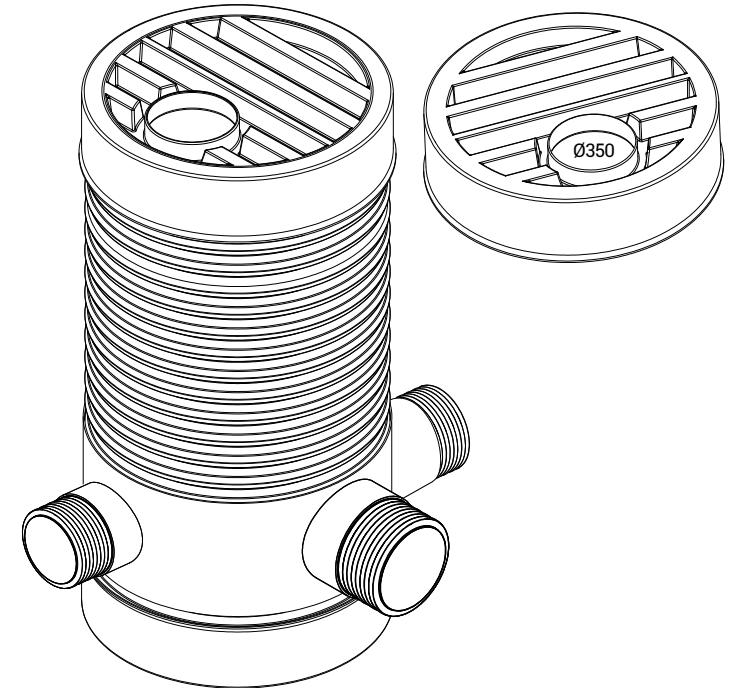
NEW DESIGN & CONSTRUCTION GUIDANCE (DCG), HAS NOW EFFECTIVELY SUPERCEDED Sfa7 (SEWERS FOR ADOPTION 7).

DCG STATES THAT ACCESS MUST BE RESTRICTED TO A MAXIMUM OF 350MM, ON ANY TYPE D OR E INSPECTION CHAMBER, DEEPER THAN 1000MM FROM COVER LEVEL TO SOFFIT OF PIPE.

OUR 1050RCC - RESTRICTION CAP IS DESIGNED TO FIT OVER THE ACCESS SHAFT AND PROVIDES A Ø350MM ACCESS (AS SHOWN BELOW)

ALTERNATIVELY CHAMBERS CAN BE SUPPLIED WITH LADDERS FOR MAN ACCESS. THIS THEN CONVERTS THE CHAMBER TO A MANHOLE, WHICH OMITTS HAVING TO HAVE A RESTRICTION CAP.

OPTIONAL RESTRICTION CAP - AIC1050RCC



Product Code	Inlet pipe options Ø (mm)	Outlet pipe options Ø (mm)	Overall Depth	Dimension	Dimension	Approx. Weight (kg)
			A (mm)	B (mm)	C (mm)	
AICCP1050150/1.5	150mm twinwall	150mm twinwall	1465	965	815	77
AICCP1050150/2	150mm twinwall	150mm twinwall	1983	1483	1333	120
AICCP1050150/2.4	150mm twinwall	150mm twinwall	2400	1900	1650	146
AICCP1050150/3	150mm twinwall	150mm twinwall	3000	2500	2350	169
AICCP1050225/1.5	225mm twinwall	225mm twinwall	1465	965	740	80
AICCP1050225/2	225mm twinwall	225mm twinwall	1983	1483	1258	123
AICCP1050225/2.4	225mm twinwall	225mm twinwall	2400	1900	1775	149
AICCP1050225/3	225mm twinwall	225mm twinwall	3000	2500	2275	172
AICCP1050300/1.5	300mm twinwall	300mm twinwall	1465	965	665	82
AICCP1050300/2	300mm twinwall	300mm twinwall	1983	1483	1183	125
AICCP1050300/2.4	300mm twinwall	300mm twinwall	2400	1900	1600	151
AICCP1050300/3	300mm twinwall	300mm twinwall	3000	2500	2200	174
AICCP1050450/1.5	450mm twinwall	450mm twinwall	1465	965	515	90
AICCP1050450/2	450mm twinwall	450mm twinwall	1983	1483	1033	133
AICCP1050450/2.4	450mm twinwall	450mm twinwall	2400	1900	1450	159
AICCP1050450/3	450mm twinwall	450mm twinwall	3000	2500	2050	182

PROPRIETARY & CONFIDENTIAL

THE INFORMATION CONTAINED IN THIS DRAWING IS THE SOLE PROPERTY OF TURTLE ENVIRO DRAINNOVATION ANY REPRODUCTION IN PART OR AS A WHOLE WITHOUT THE WRITTEN PERMISSION OF TURTLE ENVIRO IS PROHIBITED.



ACCESSO[®]
catch-pit chambers

DRAWN BY A.T	CONTRACT		
DRAWN DATE 06/07/2021	PRODUCT DESCRIPTION BLUE RANGE - 1050 SERIES		
APPROVED BY D.A	PRODUCT/CODE AICCP1050B		
APPROVED DATE 06/07/2021	SCALE:	SHEET/SIZE	A3 REV: 1